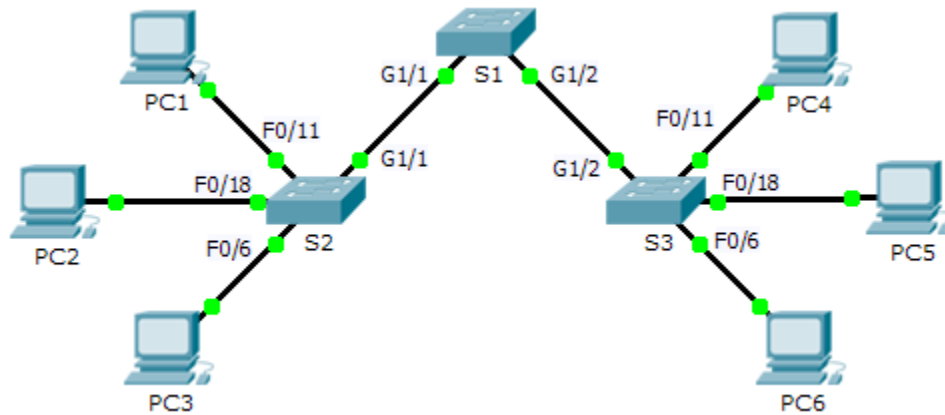


Packet Tracer – Skills Integration Challenge

Topology



Addressing Table

Device	Interface	IP Address	Subnet Mask	Default Gateway
S1	VLAN 88	172.31.88.2	255.255.255.0	172.31.88.1
S2	VLAN 88	172.31.88.3	255.255.255.0	172.31.88.1
S3	VLAN 88	172.31.88.4	255.255.255.0	172.31.88.1
PC1	NIC	172.31.10.21	255.255.255.0	172.31.10.1
PC2	NIC	172.31.20.22	255.255.255.0	172.31.20.1
PC3	NIC	172.31.30.23	255.255.255.0	172.31.30.1
PC4	NIC	172.31.10.24	255.255.255.0	172.31.10.1
PC5	NIC	172.31.20.25	255.255.255.0	172.31.20.1
PC6	NIC	172.31.30.26	255.255.255.0	172.31.30.1

VLANs and Port Assignment Table

Ports	Assignment	Network
F0/7 - 12	VLAN 10 - Sales	172.31.10.0/24
F0/13 -20	VLAN 20 - Production	172.31.20.0/24
F0/1 - 6	VLAN 30 - Marketing	172.31.30.0/24
Interface VLAN 88	VLAN 88 - Management	172.31.88.0/24
Trunks	VLAN 99 - Native	N/A

Scenario

In this activity, two switches are completely configured. On a third switch, you are responsible for assigning IP addressing to the Switch Virtual Interface, configuring VLANs, assigning VLANs to interfaces, configuring trunking, and performing basic switch security.

Requirements

S1 and **S2** are fully configured. You cannot access these switches. You are responsible for configuring **S3** with the following requirements:

- IP addressing and default gateway configuration, according to the **Addressing Table**.
- Create, name, and assign VLANs according to the **VLANs and Port Assignment Table**.
- Assign the native VLAN 99 to the trunk port and disable DTP.
- Restrict the trunk to only allow VLANs 10, 20, 30, 88, and 99.
- Use VLAN 99 as the native VLAN on the trunk ports.
- Configure basic switch security on S1.
 - Encrypted secret password of **itsasecret**
 - Console password of **letmein**
 - VTY password of **c1\$c0** (where 0 is the number zero)
 - Encrypted plain text passwords
 - MOTD banner with the message **Authorized Access Only!!**
 - Disable unused ports.
- Configure port security on **F0/6**.
 - Only two unique devices are allowed to access the port.
 - Learned MACs are added to the running configuration.
 - Secure the interface so that a notification is sent when there is a violation, but the port is not disabled.
- Verify the PCs in the same VLAN can now ping each other.